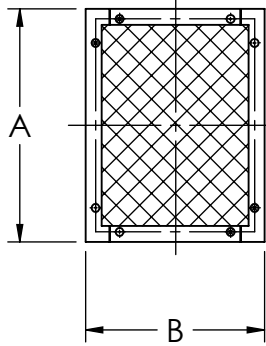
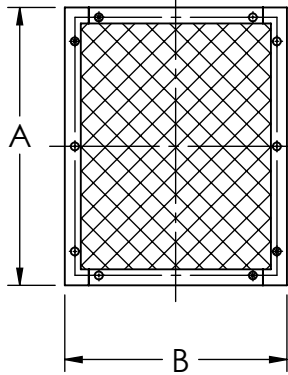


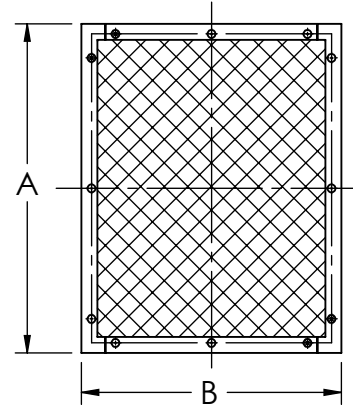
UTILITY VENT SET FAN
 UVS2, CLASS 1 AND 2, OUTLET SCREEN



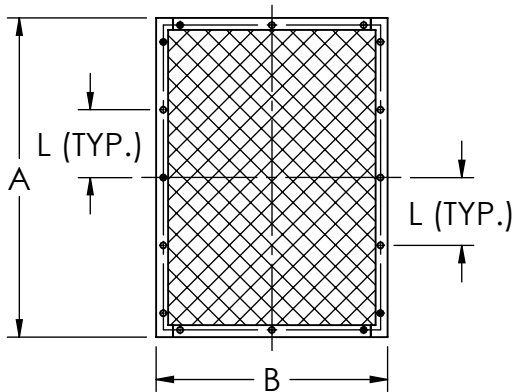
SIZES : 60-122



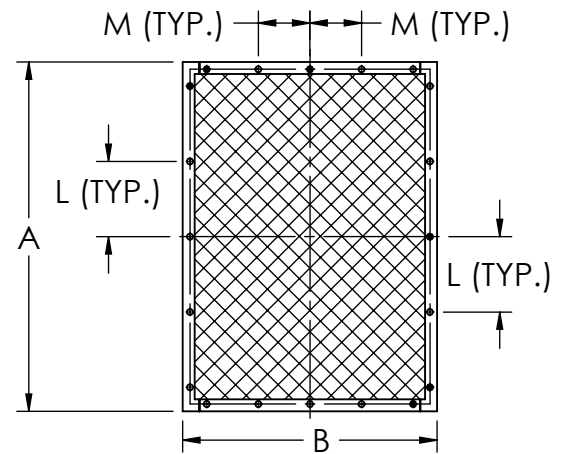
SIZES : 135-150



SIZES : 165-245



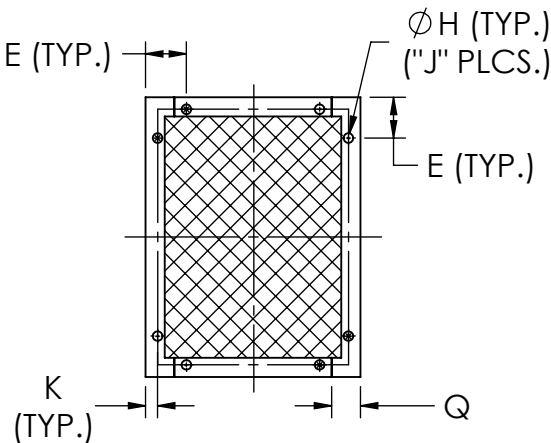
SIZE : 270



SIZE : 300-365

NOTE:

1. OUTLET SCREEN WILL BE BOLTED WITH OUTLET FLANGE.



DIMENSION TABLE CONTINUE ON NEXT PAGE...



DATE: TAG:
 JOB:
 PROJECT:
 COMPANY:
 SALES PERSON:

**UTILITY VENT SET FAN
 UVS2, CLASS 1 AND 2, OUTLET SCREEN**

DIMENSIONAL DETAILS

SIZE	A	B											E	H	J
		100% W	95% W	90% W	85% W	80% W	75% W	70% W	65% W	60% W	55% W	50% W			
122	16.06	12.88	12.75	12.56	12.44	12.25	12.06	-	-	-	-	-	2.13	0.50	8.00
135	17.38	13.88	13.75	13.56	13.38	13.19	13.00	12.81	-	-	-	-	2.13	0.50	10.00
150	18.88	15.06	14.88	14.69	14.50	14.31	14.06	13.88	13.69	13.50	-	-	2.13	0.50	10.00
165	20.56	16.25	16.06	15.81	15.63	15.44	15.19	14.94	14.75	14.50	14.31	-	2.13	0.50	12.00
182	23.06	17.06	16.88	16.63	16.38	16.09	15.88	15.63	15.38	15.13	14.88	14.63	2.13	0.50	12.00
200	25.50	18.88	18.63	18.38	18.13	17.88	17.63	17.38	17.00	16.75	16.50	16.25	2.50	0.63	12.00
222	28.00	20.63	20.38	20.13	19.75	19.50	19.25	18.88	18.63	18.25	18.00	17.63	2.50	0.63	12.00
245	30.50	22.25	22.00	21.63	21.38	21.00	20.63	20.38	20.00	19.63	19.38	19.13	2.50	0.63	12.00
270	33.25	24.13	23.88	23.50	23.13	22.88	22.38	22.00	21.63	21.25	20.88	20.63	2.50	0.63	16.00
300	36.38	26.50	26.13	25.75	25.38	25.00	24.50	24.13	23.75	23.38	22.88	22.63	2.50	0.63	20.00
330	39.69	28.75	28.38	27.88	27.50	27.13	26.63	26.13	25.75	25.25	24.88	24.50	2.50	0.63	20.00
365	43.56	31.38	-	-	-	-	-	-	-	-	-	-	2.50	0.63	20.00

SIZE	K	L	M											Q	
			100% W	95% W	90% W	85% W	80% W	75% W	70% W	65% W	60% W	55% W	50% W		
122	0.63	-	-	-	-	-	-	-	-	-	-	-	-	-	1.50
135	0.63	-	-	-	-	-	-	-	-	-	-	-	-	-	1.50
150	0.63	-	-	-	-	-	-	-	-	-	-	-	-	-	1.50
165	0.63	-	-	-	-	-	-	-	-	-	-	-	-	-	1.50
182	0.63	-	-	-	-	-	-	-	-	-	-	-	-	-	1.50
200	0.75	-	-	-	-	-	-	-	-	-	-	-	-	-	1.75
222	0.75	-	-	-	-	-	-	-	-	-	-	-	-	-	1.75
245	0.75	-	-	-	-	-	-	-	-	-	-	-	-	-	1.75
270	0.75	7.06	-	-	-	-	-	-	-	-	-	-	-	-	1.75
300	0.75	7.84	5.38	5.28	5.19	5.09	5.00	4.88	4.78	4.69	4.59	4.47	4.41	1.75	
330	0.75	8.67	5.94	5.84	5.72	5.63	5.53	5.41	5.28	5.19	5.06	4.97	4.88	1.75	
365	0.75	9.64	6.59	-	-	-	-	-	-	-	-	-	-	-	1.75

ALL DIMENSIONS ARE IN INCHES.